



IBM Software Group

D05 Portletizing Domino Application - the DXL Way

Raj Balasubramanian
Senior IT Architect, ISSL



ON DEMAND BUSINESS™

This presentation is based on a three part series that was published on developerWorks by the same title.

<http://www-128.ibm.com/developerworks/lotus/library/app-dxl/>

This presentation will be updated before delivery on September 20 2005. If you need an updated copy, refer to my site -
<http://balasubramanians.com/raj/articles.html>

OR IBM Developerworks site

OR send me an email (raj_balasubramanian@us.ibm.com)



ABOUT THE DEMO

- My T41p (2GB RAM) died when I was on vacation last week
- Needed to run the demo on this-a T30 (512MB RAM)
 - ▶ Cant run the applications, WP51, Domino all at the same time
- Hence am using – Jetspeed 2 168 Container for this demo

Thanks to Jeanette Coury for loaning her laptop to salvage my code yesterday.



Agenda

- Portletizing Domino Apps – All the ways
 - ▶ Benefits and pains for each way
- Why a new way to access Domino?
 - ▶ What is DXL
 - ▶ Thinking behind this
- DXL DAO Framework
- Demo
- Q&A



Portletizing Domino Apps – All the ways

- Out of the box portlets
- Domino Portlet builder
 - ▶ WPAI
- Custom Portlets
 - ▶ Domino JSP Tags
 - ▶ CS Api
 - ▶ Domino SDO
 - ▶ Custom using DIOP



Portletizing Domino Apps – All the ways

- Benefits
 - ▶ IBM Supported platform and tooling
- Pains
 - ▶ Lack of Firewall support
 - ▶ No support for duplicating logic in NSF (do we want to??)
 - Hence overkill for most custom NSFs



Why another approach - Motivations

- There is no silver bullet
- There is no way to replace some of the logic in NSF
- XML over HTTP is very popular and we have had DXL since v5
- Lack of Firewall support with existing access methods
- Personal experience-
 - ▶ Most of the use cases were to expose NSF views and perform basic CRUD
 - DIIOP is overkill for those
- Get on the SOA and AJAX bandwagon

What is the DXL Way of Portletizing Domino Apps

- Domino XML Language
 - ▶ Representing Domino elements as XML documents
- Using XML output from a NSF view (using ReadViewEntries)
- Using XML over HTTP to access NSF data and perform basic CRUD on the NSF
- This is a custom solution and is not an offering or supported product from IBM

Watch for Domino XML Services in Domino 8 😊



What is the DXL Way of Portletizing Domino Apps

- Core of the DXL framework
 - ▶ Use ?ReadViewEntries to access Views
 - ▶ The 3 custom agents I wrote for
 - Consuming a XML feed to create document
 - Consuming a XML feed to update existing document
 - Producing a XML feed of an existing document
- Custom JAVA library for accessing and processing this XML data

NOTE – None of this is proprietary. This DXL Framework is more of a concept than code. You can rebuild the core DXL agents or the access library and may be even do a better job at building them. 😊

This is not limited to Java. I have used C# and Python to access the NSF application

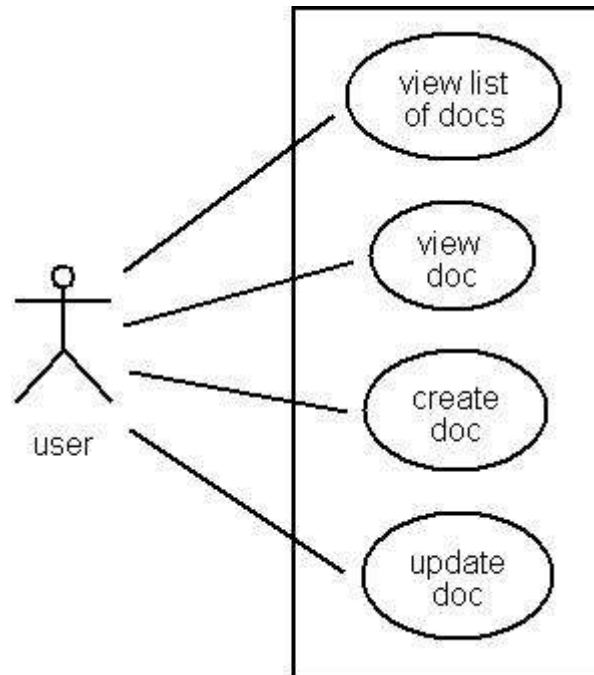


Thinking behind the DXL Way of Portletizing Domino Apps

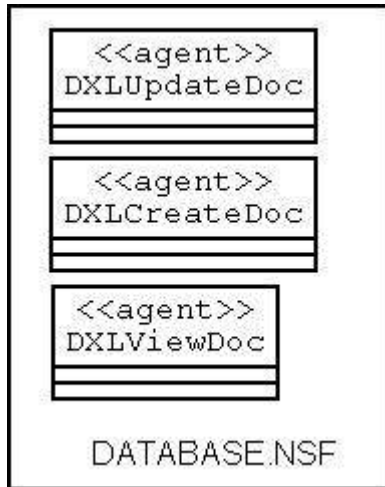
- The DXL DAO framework should
 - ▶ Allow access to any NSF application
 - ▶ Should support basic, session based or LTPA tokens for authentication
 - ▶ Separate the view (UI) from the data
 - ▶ Follow some design patterns for leverage



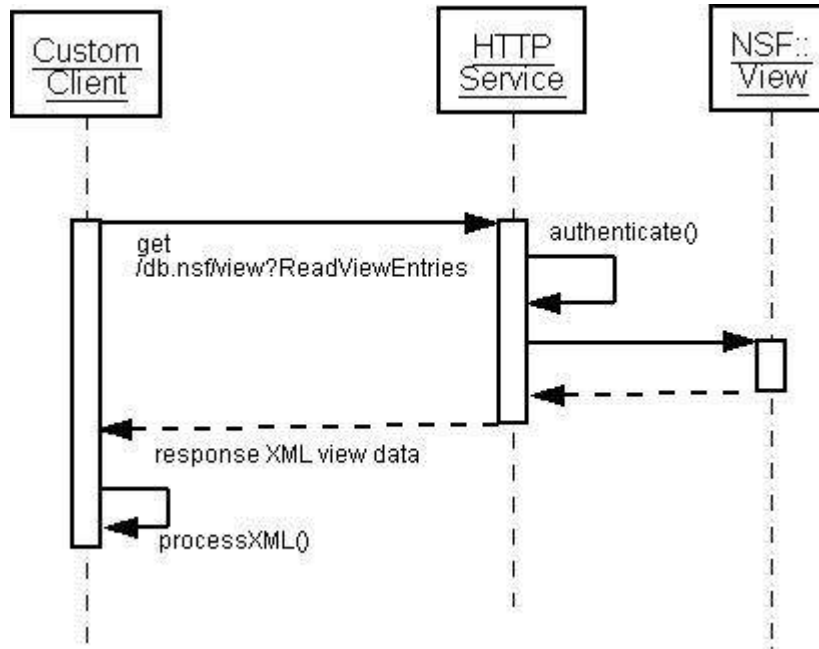
DXL DAO Framework – Use Case



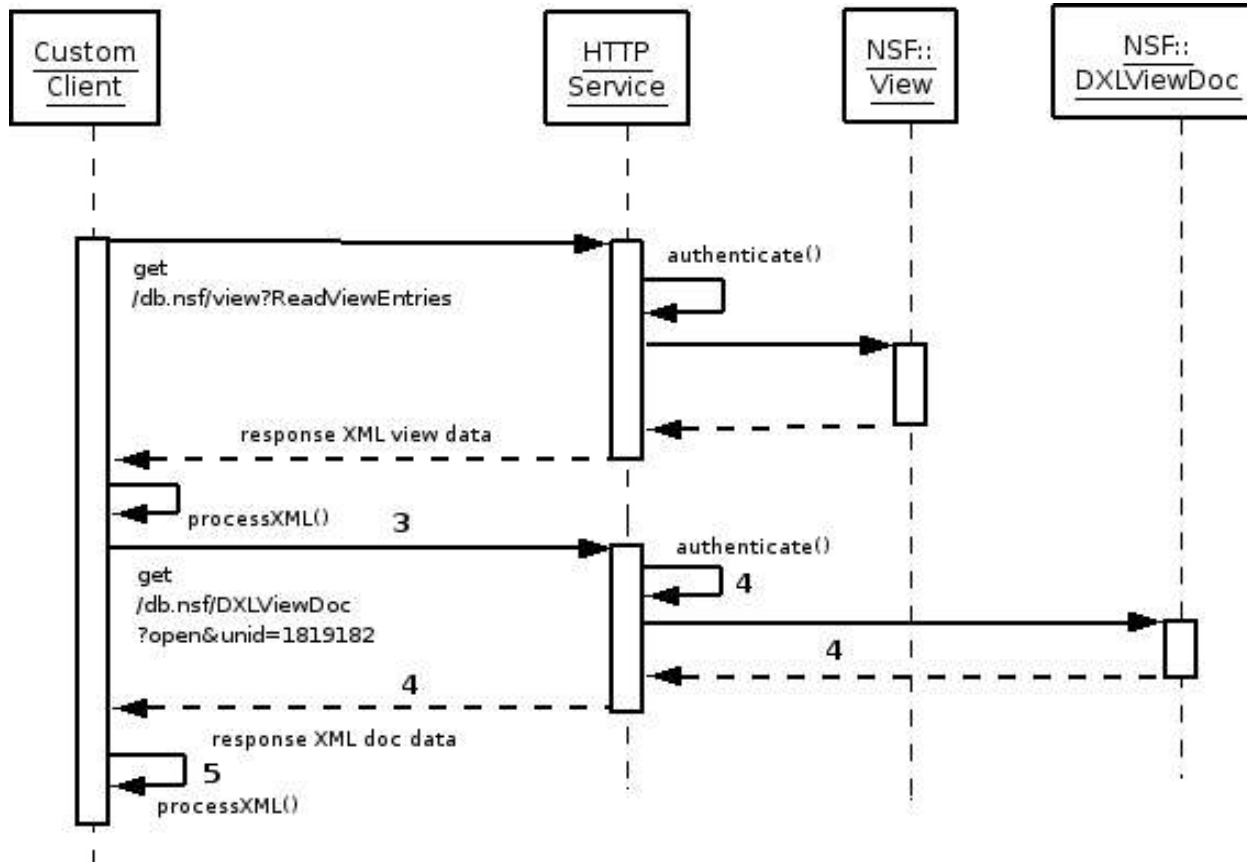
DXL DAO Framework – Domino side



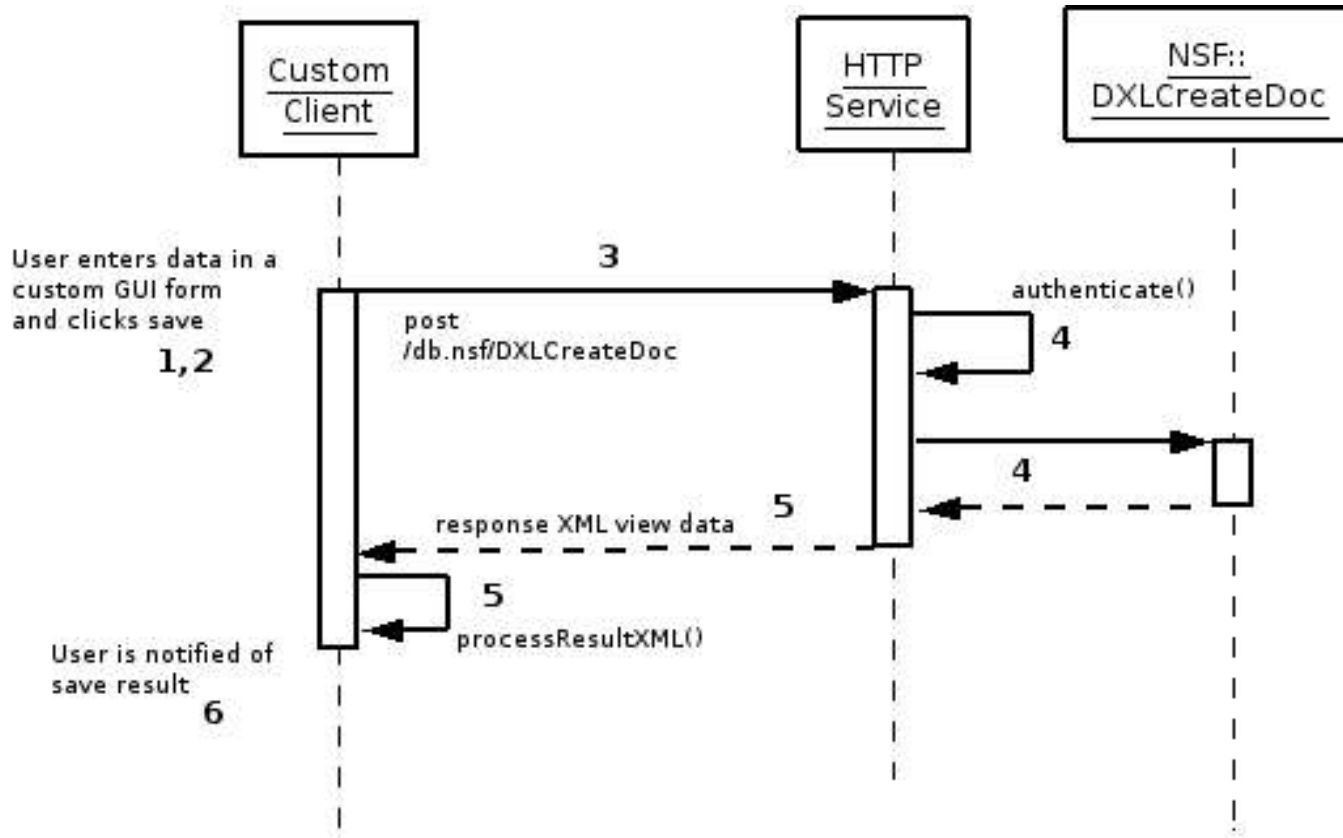
DXL DAO Framework - Flow



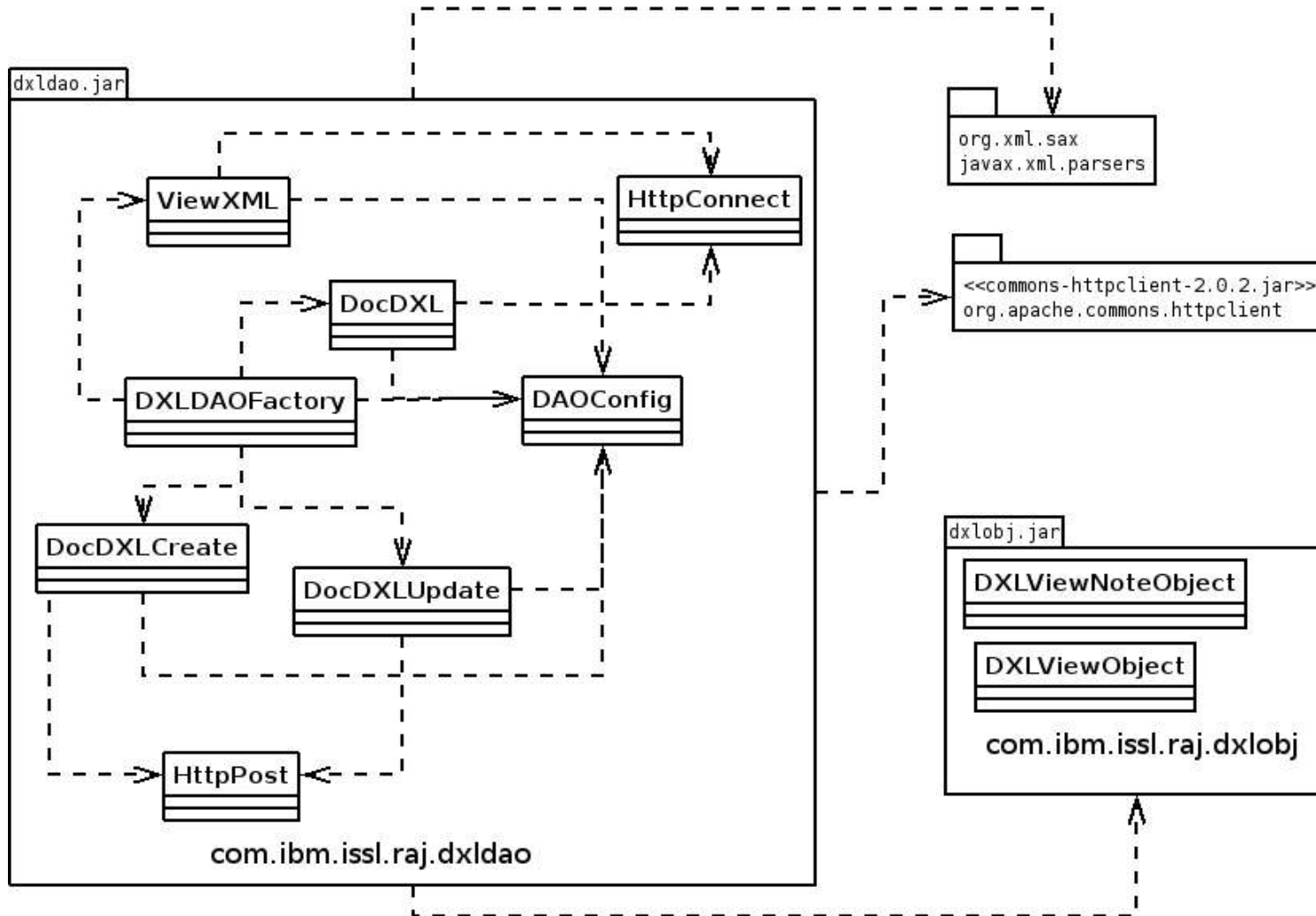
DXL DAO Framework - Flow



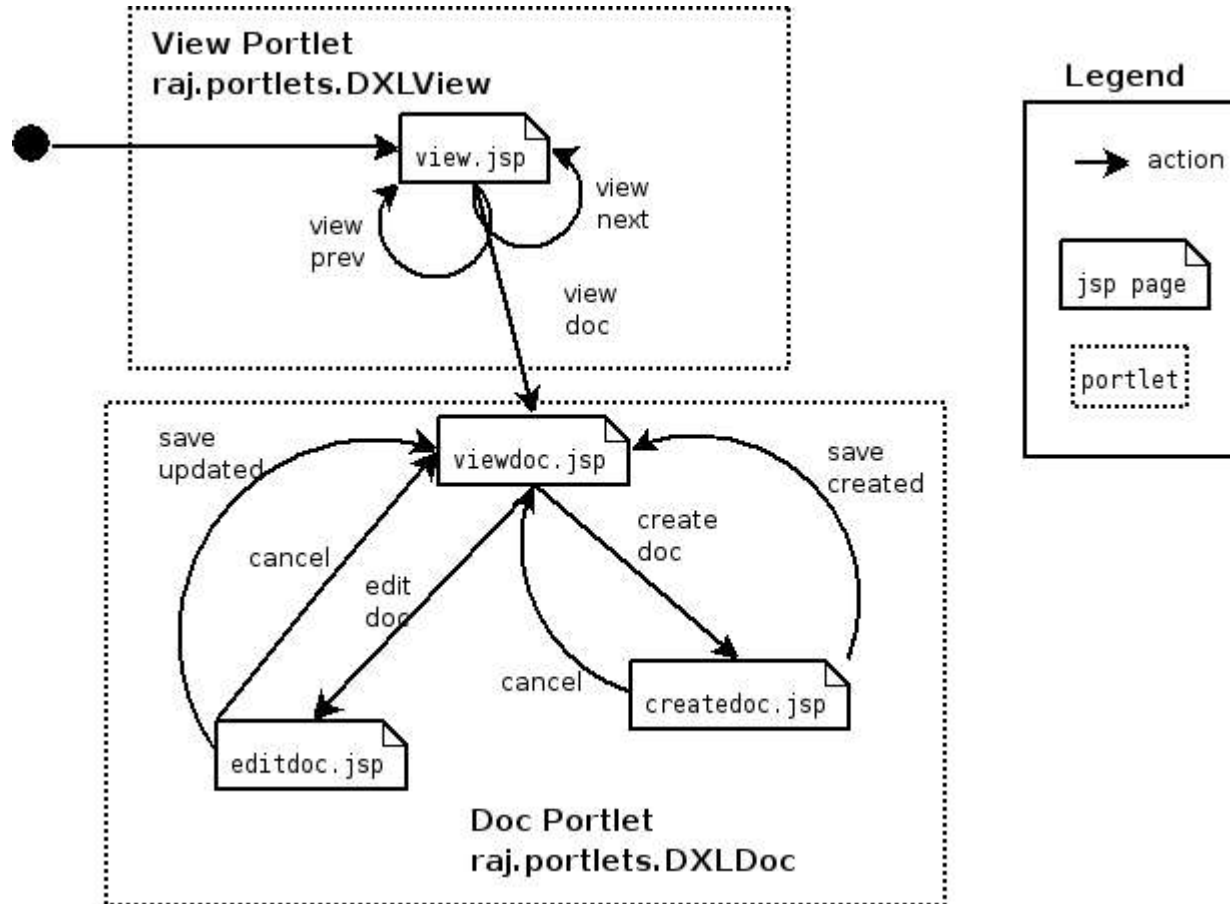
DXL DAO Framework - Flow



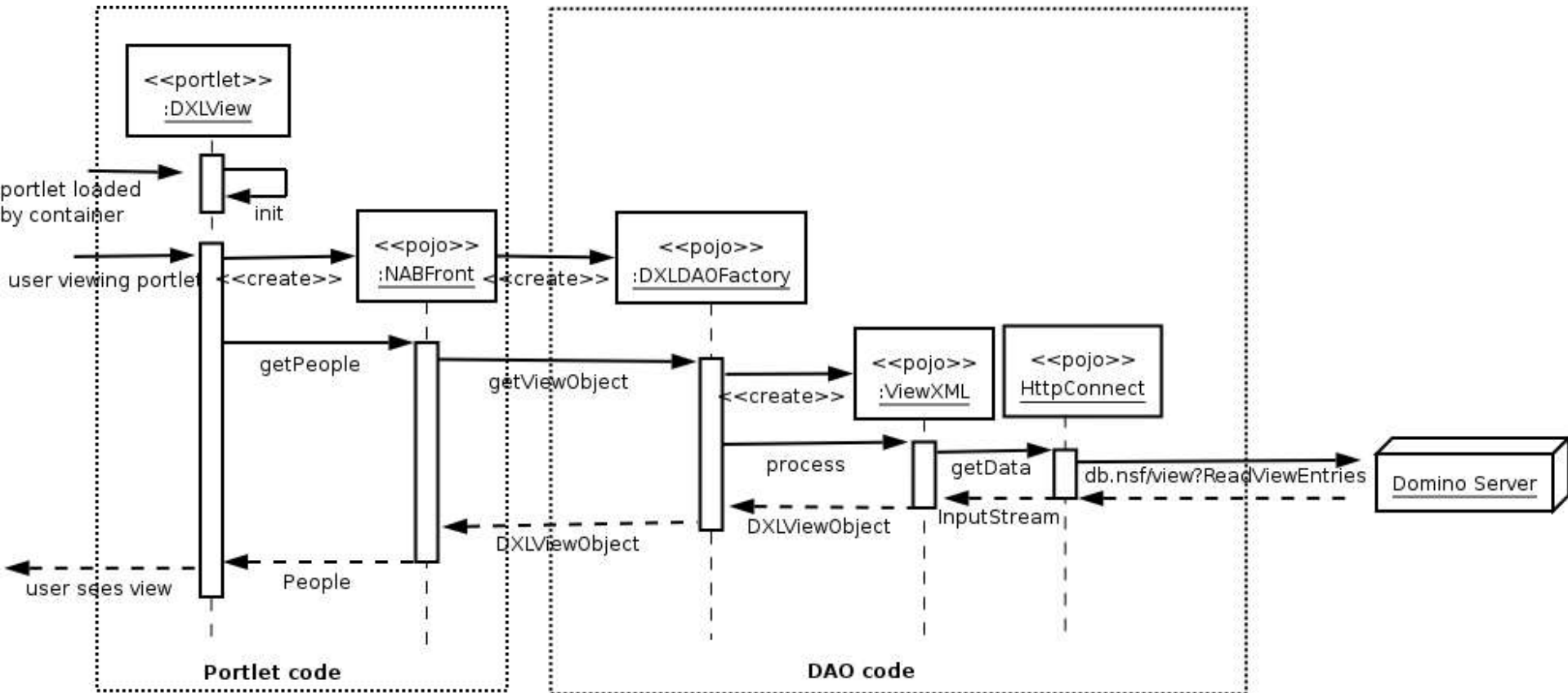
DXL DAO Framework – DAO Code



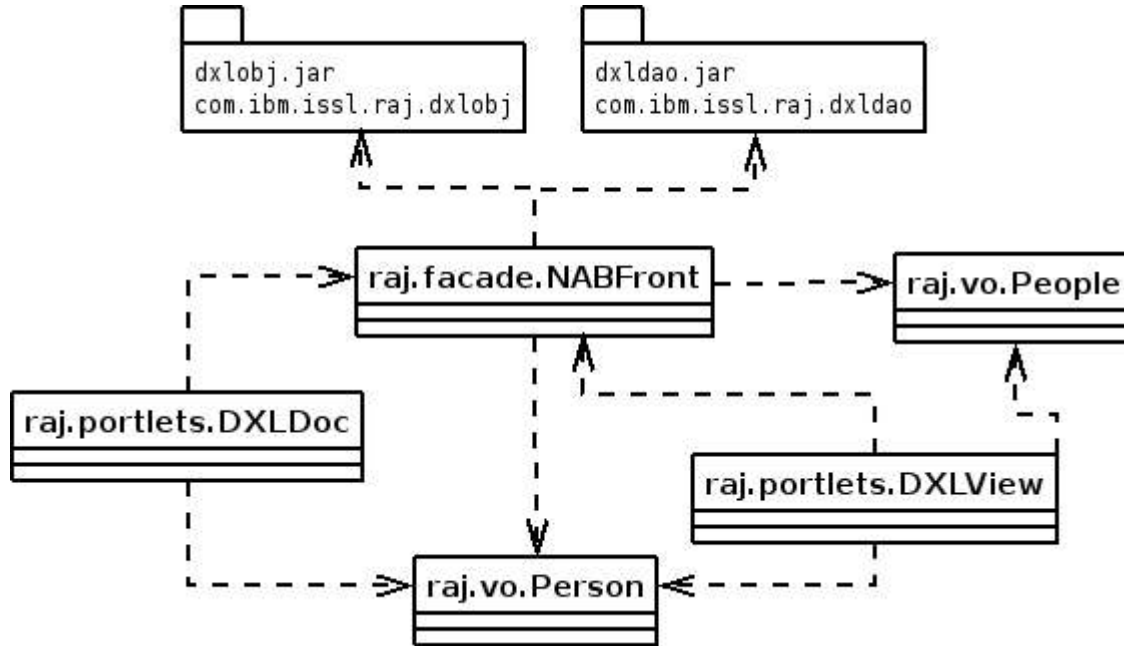
DXL DAO Framework – JSR168 Portlets



DXL DAO Framework – JSR168 Portlets



DXL DAO Framework – JSR168 Portlets



DXL DAO Framework – JSR168 Portlets

DXL Demo - Microsoft Internet Explorer

File Edit View Favorites Tools Help

Back Forward Stop Home Search Favorites Media Print Bluetooth

Address <http://localhost:8080/jetspeed/portal/dxl-demo/dxl.psml> Go

Links Search the Web with Lycos IBM Business Transformation Homepage IBM Internal Help Homepage IBM Standard Software Installer

jetspeed

DXL Demo

[Back to Root Folder](#)

Additional Links

- [Jetspeed 2 Home Page](#)
- [Jetspeed 2 Wiki](#)
- [Apache Portals Website](#)
- [Apache Software Foundation](#)

DXL Notes View

Name	Mail	
Guha , Guru	Guru Guha/ABC	->
Gordon , Flash	Flash Gordon/HQ/ABC	->
Drik , Gap	Gap Drik/ABC	->
Fleckenstein , Ann	Ann Fleckenstein/AJ/ABC	->
Brown , Charlie	Charles Brown/ABC	->
Boy , Larry	Larry Boy/AD/ABC	->
Einstein , Albert	Al Einstein/EMC2/ABC	->
Derson , Gun	Gun Derson/ABC	->
Holmes , Katie	Katie Holmes/HA/ABC	->
Derson , Chase	Chas Derson/ABC	->

<<<< >>>>

DXL Notes Doc

Click on a doc in DXL View portlet to see document details....

OR

Done Local intranet

DXL DAO Framework – JSR168 Portlets

DXL Demo - Microsoft Internet Explorer

File Edit View Favorites Tools Help

Back Forward Stop Home Search Favorites Media Print Mail Bluetooth

Address http://localhost:8080/jetspeed/portal/_ns:YURTYTFzPzXcxfgMwfgQwfgVhY3Rpb249MT12aWV3ZG9jfgV1bmlkPTE9RDE2RjAwQ0QxMjI5RjIyRTg1MjU3MDJCMDA1RUI2QWU_/dxl-demo/dxl.psm Go

Links Search the Web with Lycos IBM Business Transformation Homepage IBM Internal Help Homepage IBM Standard Software Installer

DXL Demo

[Back to Root Folder](#)

Additional Links

- [Jetspeed 2 Home Page](#)
- [Jetspeed 2 Wiki](#)
- [Apache Portals Website](#)
- [Apache Software Foundation](#)

DXL Notes View

Name	Mail	
Guha , Guru	Guru Guha/ABC	->
Gordon , Flash	Flash Gordon/HQ/ABC	->
Drik , Gap	Gap Drik/ABC	->
Fleckenstein , Ann	Ann Fleckenstein/AJ/ABC	->
Brown , Charlie	Charles Brown/ABC	->
Boy , Larry	Larry Boy/AD/ABC	->
Einstein , Albert	Al Einstein/EMC2/ABC	->
Derson , Gun	Gun Derson/ABC	->
Holmes , Katie	Katie Holmes/HA/ABC	->
Derson , Chase	Chas Derson/ABC	->

<<<< >>>>

DXL Notes Doc

First Name

Last Name

Full Name

http://localhost:8080/jetspeed/portal/_ns:YkRYTFzPzXcxfgMwfgQwfgV1bmlkPTE9RDE2RjAwQ0QxMjI5RjIyRTg1MjU3MDJCMDA1RUI2QWU_/dxl-demo Local intranet



DXL DAO Framework - DEMO



Q & A

